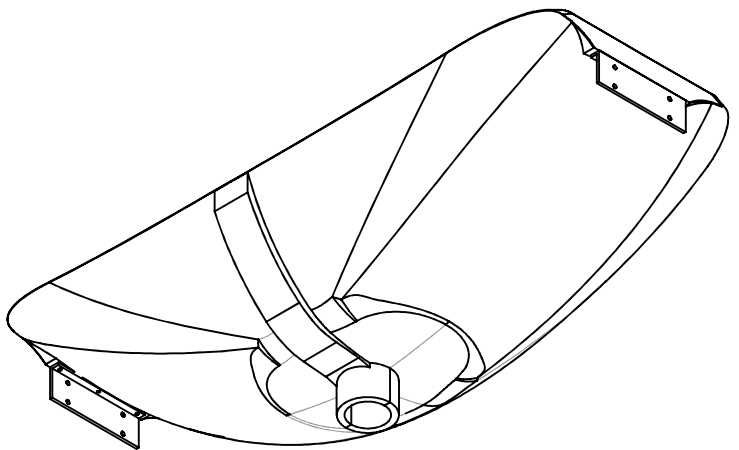
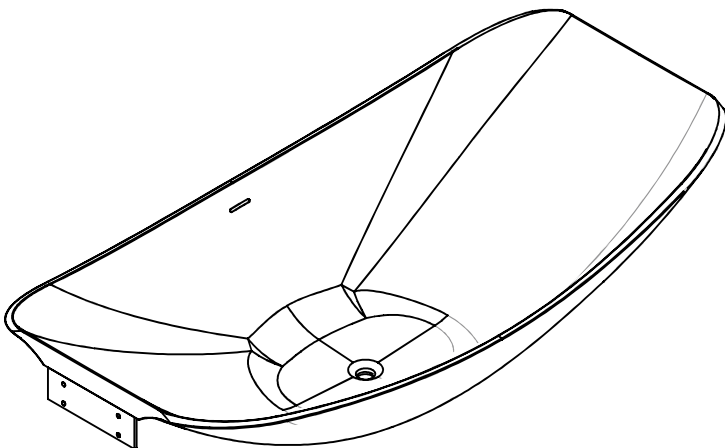
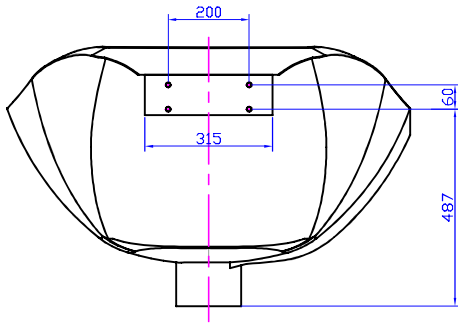
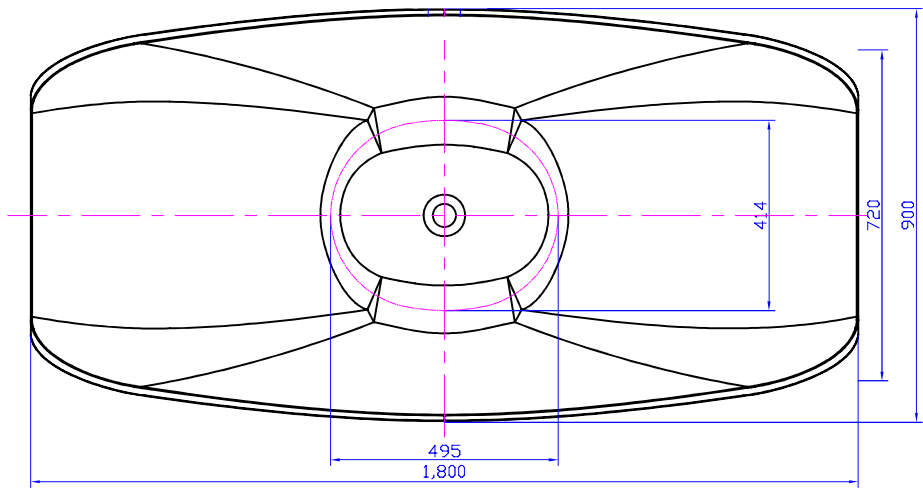


**SUITABLE FOR
STEEL BRACKETS
OR STEEL FRAME
EACH END**

Steel brackets included
Steel frame each end
sold separately





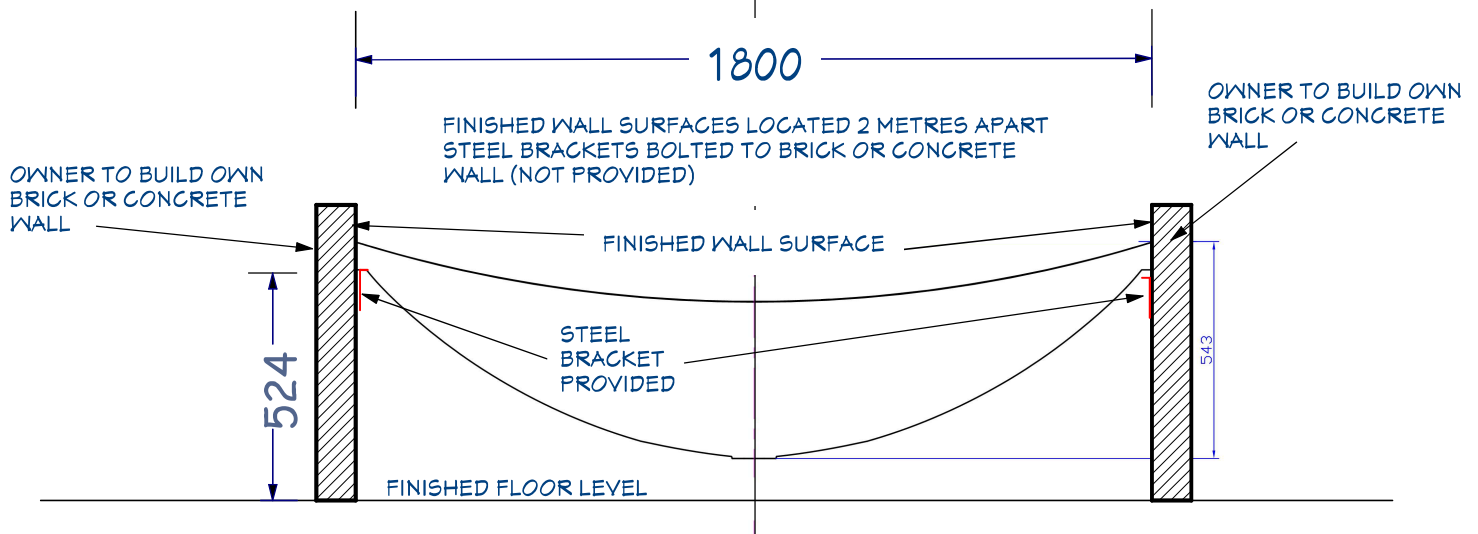
DOVE



ALABASTER



FLOWER



Technical Specifications

MATERIAL :

Solid Surface Stone Resin

COLOUR :

Alabaster (matt white), Dove (grey), Ebony (matt black),
Flower Hand painted outside Alabaster (matt white) inside

DIMENSIONS :

Metric 2000mm x 1000mm x 543mm (bath alone)

Imperial : 78.75" x 39.37" x 21.37" (bath alone)

WEIGHT:

140 kg /308 pounds (without packaging crate)

CAPACITY :

130 litres/35 gallons

OVERFLOW : NO

MATCHING COLOUR POP UP DRAIN : YES

The installation instructions for the
The Hammock Bath Model HBO1.8 overflow
steel brackets included.

1. brick or concrete wall to be located 1805 mm apart, this distance must include your finished surface of tiles, stone etc.
2. Finish tiling your wall and then install the steel brackets provided securing it to the brick or concrete wall. The brackets should be place 572mm above the finished floor level.
3. Carefully place the Hammock Bath in position and bolt the underside of the Hammock Bath ledge to the steel brackets provided.
4. Connect the waste of the bath to the sewer pipe.
5. Silicone in place securely the solid surface circular cover provided in 2 pieces.

Important installation instructions

1. Pop up drain is included in your new bathtub
2. The drain must always be installed according to your local plumbing codes, if unsure please check prior to installation
3. Check prior to purchase and installation if an overflow is required
4. Clean the floor and ensure that the floor is level
5. Connect drain pipe to from the bathtub to the plumbing waste with a qualified plumber
6. Fill the bathtub with water and then drain the tub while inspecting the waste connections below the floor for any leaks. Access from below is recommended for this step.
7. Apply a generous bed of adhesive or silicone to the bottom of the tub base. Once dry run a bead of tile caulk around the bottom edge of where the bathtub meets the floor. Wipe off any excess caulk with a wet cloth.

Cleaning & Maintenance

- * The Hammock Bath is made from Solid Surface Material. Solid surface is an inert and non toxic material, which is easy to be repaired and restore.
- * Never use strong chemicals such as paint removers, oven cleaners or abrasive products or cream cleansers with grit. as this may damage the surface and will void your warranty.
- * It is easy to clean, use a spray and wipe product to clean over or just a damp cloth.
- * There is a solid surface sanding pad provided which can be used for removing stubborn marks that do not come off by standard cleaning.
- * It will also repair minor scratches or cuts.

STANDARD CLEANING

- * Wipe surface with a soft cloth after each use.

STUBBORN STAINS, SCRATCHES AND DAMAGED SURFACES

- * Use water to remove dirt and dust from the surface
- * Use pad provided and sand slightly in a small circular motion.
- * You can also use 800 grit sandpaper and sand slightly in small circular motion.
- * Follow with 1200 grit sandpaper sanding slightly in a circular motion.

Warranty instructions

- * 5 year warranty against fading or cracking. Keep your original invoice as it must be provided to exercise the warranty and is limited to the original purchaser of the product and is not transferable.

The warranty does not cover the following:

- * Loss or damage as a result of whole or part from installation error, product abuse, misuse, neglect, improper maintenance abrasives, corrosion and or accidents including during moving or installation.
- * Loss or damage to normal wear and tear. Loss or damage caused by hard water, calcareous deposits and or sediment. Any loss or damage sustained in a natural calamity, including earthquake, fire, flood, electrical storms or thunder storms. The Hammock Bath Company is not responsible for any labour, shipping charges or damages whatsoever incurred on account of installation, removal, re-installation, repair or replacement as well as any incidental or consequential damages or losses wether direct or indirect.
- * Furthermore The Hammock Bath Company product is limited to the replacement value thereof.